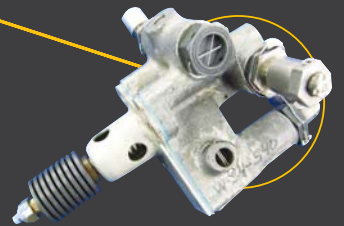
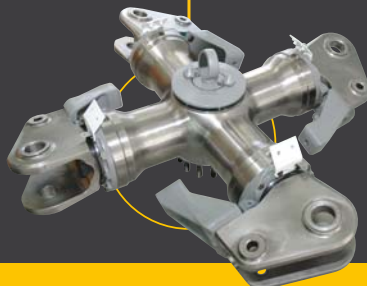
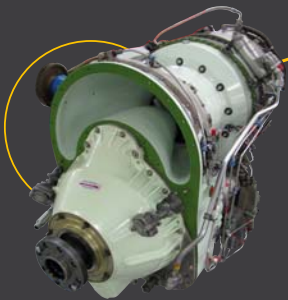


# PARTS & LOGISTICS

Airwork NZ Limited maintains a wide array of spare parts in stock and on consignment. We have access to a worldwide parts information infrastructure allowing us to offer quality products combined with the most competitive pricing.

The Airwork NZ Parts and Logistics department is NZCAA Part 19F certified as a Supply Organisation.



Parts Supply and Logistics Manager  
Navin Raju Tel: +64 9 295 2132 Email: [navin.raju@airwork.co.nz](mailto:navin.raju@airwork.co.nz)  
[www.airwork.co.nz](http://www.airwork.co.nz)



## OUR INVENTORY

**Airwork NZ carries a significant level of inventory, with stock ranging from major engine and fuel system components to electrics, avionics and instruments.**

Our team of dedicated and experienced Logistics staff is capable of supplying required parts in a cost effective and timely manner anywhere in the world.

Airwork NZ are dealers, distributors or stockists of a wide range of products, including:

- ▶ Artex
- ▶ Breeze Eastern
- ▶ Garmin
- ▶ Honeywell
- ▶ Lycoming
- ▶ Piper
- ▶ Rolls Royce
- ▶ Sigmatek
- ▶ Unison
- ▶ ...and many others

We specialise in PMA parts for AS 350/355 and BK117 aircraft, and also offer parts for B206 and MD500 helicopters.





# ENGINES AND ACCESSORIES

## Honeywell LTS101

- ▶ An inventory of OEM parts is available for Honeywell LTS101 Engines and Accessories
- ▶ Airwork NZ is a Honeywell Service Centre

Honeywell Service Centre



## Rolls Royce Allison 250

- ▶ We offer a comprehensive inventory of OEM and PMA parts for Rolls Royce Allison 250 engines

## Garrett TPE 331

- ▶ Airwork NZ offers OEM and PMA parts for Garrett TPE 331 engines
- Airwork NZ is also a stockist of a range of filters for various engine types.





# AIRFRAME SPARE PARTS AND DYNAMIC COMPONENTS

## Airframe Spare Parts

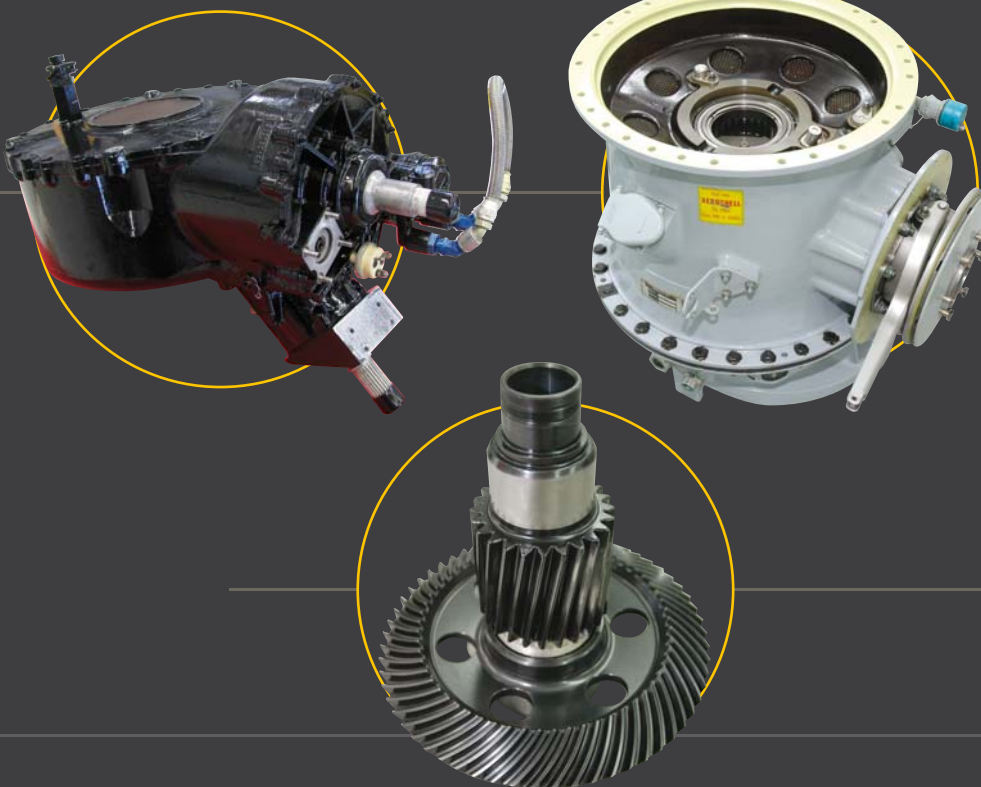
Airwork NZ are stockists of:

- ▶ Large range of Rotable Parts including Servos M/R and T/R
- ▶ Hydraulic Systems
- ▶ Tech Tool Windows
- ▶ Various Links
- ▶ Range of Consumables

## Dynamic Components

We offer a comprehensive range of Dynamic Components for AS350 / 355, BK117, B206 and MD500 aircraft, including:

- ▶ Tail Rotor Gear Box
- ▶ Tail Rotor Pitch Change Assembly
- ▶ Main Transmissions
- ▶ Oil Pumps
- ▶ Combiner Boxes
- ▶ Epicyclic Assembly
- ▶ Mast Assemblies
- ▶ Skid Dampers





## AVIONICS

Airwork NZ offers a wide range of Avionics parts, including:

- ▶ Comprehensive range of Antennas
- ▶ Wire and Cables
- ▶ Radios
- ▶ GPS
- ▶ Receivers / Transceivers
- ▶ Range of Rotable Parts
- ▶ Range of Consumables



## ELECTRICAL

Airwork NZ are stockists of:

- ▶ Starter Generator Parts
- ▶ Static Invertors
- ▶ Fuel Transmitters
- ▶ Actuators
- ▶ Fuel Pumps
- ▶ Motors / Blowers
- ▶ Range of Rotable Parts
- ▶ Range of Consumables



## INSTRUMENTS

Airwork NZ are stockists of:

- ▶ Gyros
- ▶ Indicators
- ▶ Altimeters
- ▶ Compasses
- ▶ Gauges
- ▶ Transmitters
- ▶ Large range of Rotable Parts
- ▶ Range of Consumables

Airwork NZ Limited is based at Ardmore Airfield and has maintenance facilities in Auckland at Mechanics Bay, as well as New Plymouth, Wellington, Timaru, Glentanner, Queenstown, Christchurch and Brisbane airports.

In addition to our Parts & Logistics Division, Airwork NZ Limited offers Manufacturing & Ancillary Workshops, Turbine Support Services, Dynamic Component Overhaul and Helicopter Maintenance. Contact us today to discuss your engineering and maintenance requirements.

Airwork NZ holds the following NZCAA approvals: Part 141, 145, 146, 148, 19F

### Manufacturing & Ancillary Workshops

Contact: John Simcox,

Tel: +64 9 295 2127

- Part 146 Design, Part 148 Manufacturing and Part 145 Maintenance certifications
- Breeze Eastern Service Centre

### Design and Manufacture

- In-house design and manufacture of a range of modification packages, STC's and PMA items
- TIG Welding specialists
- CNC Machining
- Metal Arc Spraying
- Light Fabrication
- CAD Drawing

### Workshops

- Electrical
- Avionics
- Instruments

### Hoist Overhaul

- Hoist Test Rig audited and approved by Breeze Eastern

### Non-Destructive Testing

### Turbine Support Services

Contact: Clive Rankin,

Tel: +64 9 925 3171

- Part 145 certification
- Honeywell Approved Service Centre
- Approved by Transport Canada
- Indonesian Ministry of Transport Directorate General of Civil Aviation approved maintenance facility

### Major Maintenance and Repair of:

- Honeywell LTS101
- Rolls Royce Allison 250
- Garrett TPE 331

### Services

- Engine Test Cell
- Full technical field support
- OEM and PMA Warranty Support
- Extensive Inventory of OEM Parts
- Loan Engines, Rental Modules and Accessories

### Parts Supply

Contact: Navin Raju,

Tel. +64 9 295 2132

- Part 19F certification
- Supplier of all aviation parts and needs

### Dynamic Component Overhaul

Contact: Ian Frazer,

Tel: +64 9 295 2145

- Part 145 certification
- Approved by Transport Canada
- Accredited Eurocopter Overhaul Facility
- Kawasaki Service Centre
- Eurocopter Approved Test Bench
- BK117 Test Bench

### Inspection, repair and overhaul of Dynamic Components for:

- BK117
- AS350 / AS355
- MD500
- B206

### Services

- Full technical field support
- MRH 3 year/5 year Inspection
- Mast Spacer Inspection (on site or at your facility)
- Mast Assemblies
- T/R P/C Assembly Overhaul
- T/R P/C Link Bearing Replacement
- Main Transmission
- Tail Rotor Gearbox
- Intermediate Gearbox
- Oil Pump
- Skid Dampers
- Exchange pool of accessories, rental components and wide inventory of parts available

### Helicopter Maintenance

Contact: Jeff O'Sullivan,

Tel: +64 9 295 2139

- Part 141 and Part 145 certifications
- Maintenance and Maintenance Control services

### Fixed Base or Remote Servicing of the following aircraft:

BK117, AS355, H500, AS350, EC120, B206, AS365, MD500, B222

We have bases throughout New Zealand and Australia and also offer Global Surge Engineering teams to carry out maintenance at your facility.

### Custom Fits, Role Changes, Refits & Refurbishment

- EMS
- Police
- Corporate
- Agricultural
- Tourism

### Maintenance Control

- Forecasting
- Cost Analysis
- Control
- C of A's

### Services & Inspections

- 12 yearly airframe overhauls
- Tail Boom repairs
- 1800, 2400 and 3600 hour inspections
- Lead lag inspections and Chadwick 8500
- Major and Minor Structural Repairs
- IFR Installations